



MODEL: 1113



Applications:

For equipment and plants welding, cutting and allied processes

Specification:

Design:ISO5171

Normal size in mm:50,68

Process connection:

Copper alloy, lower mount (LM), with restrictor

1/4"(50mm,68mm)

Accuracy class :2.5

Scale ranges:

Welding engineering standard ranges for oxygen and acetylene to ISO5171, as well as 0...1 to 0...400bar to EN837-1

Pressure limitation:

Steady: 3/4 x full scale value

Fluctuating: 2/3 x full scale value

Short time: Full scale value

Permissible temperature:

Ambinet: -20..+60°C

Medium: +60°C maximum

Material specification:

Case: Gold painted steel case

Window: screw on polycarbonate

Wetted: copper alloy bourden tube and brass connection

Movement: brass

Dial : Aluminum, white, with pointer stop pin

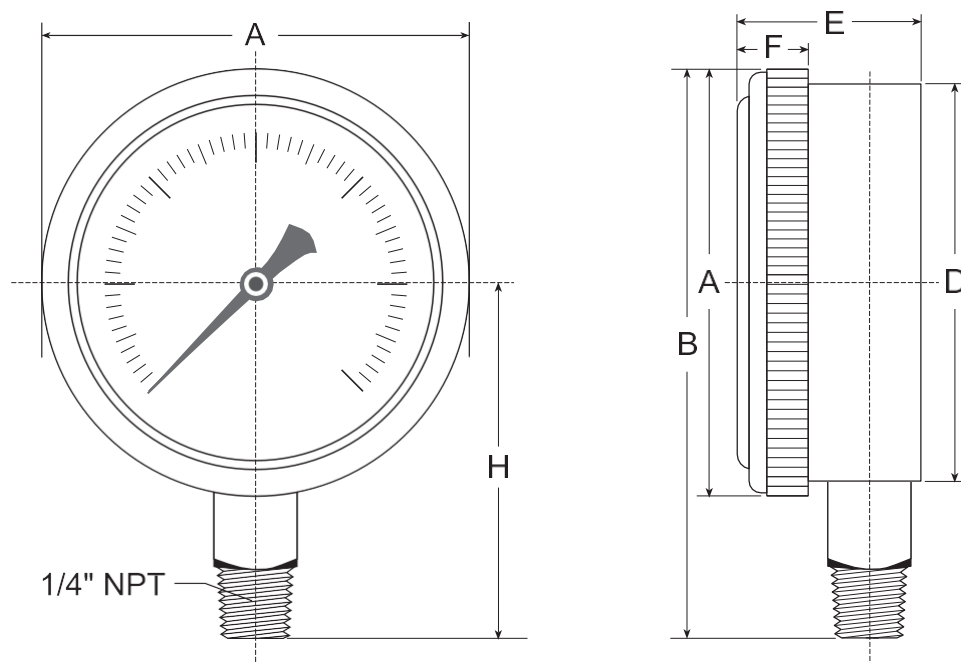
Pointer: Aluminum

Dimension in mm

Standard version

Lower mount (LM)

Dimension drawing



DIAL SIZE	A	B	H	D	E	F
2.75"	∅72	96	60	67.5	30.5	11
2"	∅57	78	49.5	52.5	28	9