



1100 SERIES STANDARD PRESSURE GAUGE MODEL:1100

Applications:

1100 series standard gauge is for use in light industry and suitable for gases and liquids that do not attack the brass measuring system.

Specifications:

Nominal sizes:

1.5", 2", 2.5", 4", 6", 8" and 10"

Connection:

BSP 1/8" for 1.5", BSP

1/4" for 2", 2.5"

BSP 1/2" for 4", 6", 8", 10"

Scale Range, according to EN 837-1/5

Pressure ranges: 0 to 0.6/1/1.6/2.5/4/6/10/16/25/40/60/100/160/250/400 bar

Vacuum range: -1 to 0 bar

Compound pressure: -1 to 0.6/1.5/3/5/9/15/24 bar

Operating Temperature:

Ambient: -40°C to 60°C, medium: 60°C maximum

Material Specification:

Case: black steel case and bezel with bolt locked

Window: instrument glass

Wetted parts: copper alloy bourdon tube and brass connection,

Movement: brass



Options:

NPT, BSPT or other process connection

Restrictor

Oil and grease free for oxygen

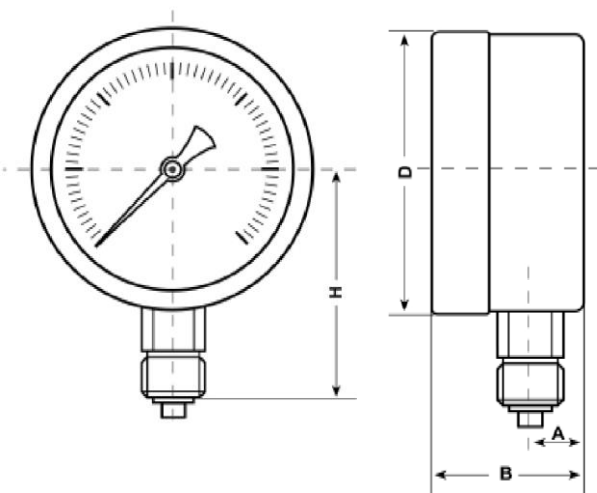
Double dial range or other dial ranges

Acrylic window

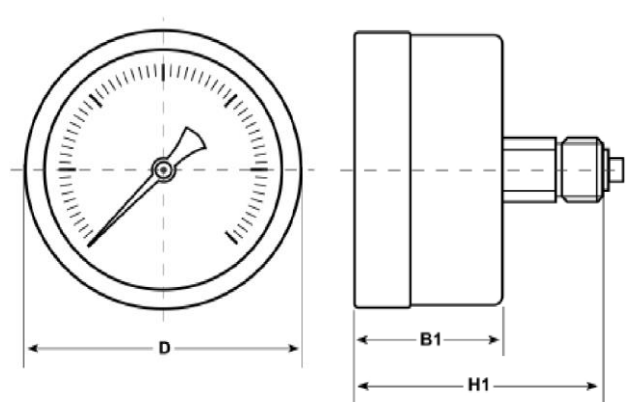
Chrome plated steel case, brass case, stainless steel case

DIMENSION:

(Lower mount)



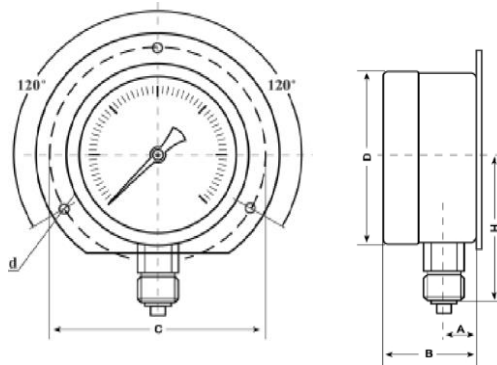
(Back mount)



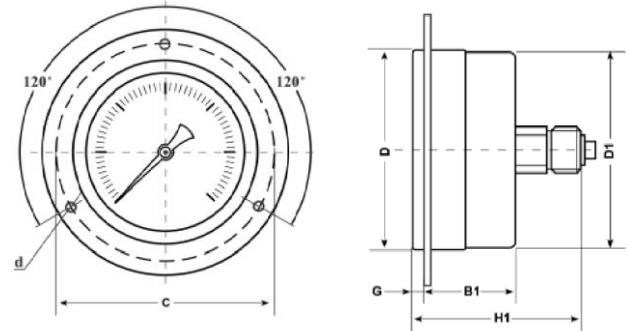
| DIAL SIZE | D | B/B1 | A | H | H |
|-----------|--------|---------|---------|-----|----|
| 1.5" | Ø42.5 | 23/24.5 | 8 | 37 | 39 |
| 2" | Ø53 | 28/27.5 | 10 | 46 | 47 |
| 2.5" | Ø63.5 | 28 | 10 | 52 | 47 |
| 4" | Ø100.5 | 35 | 13/15.5 | 80 | 59 |
| 6" | Ø150 | 49 | 18 | 114 | -- |
| 8" | Ø200 | 49 | 18 | 144 | -- |
| 10" | Ø250 | 50 | 19 | 175 | -- |

dimensions are approximate and can be changed without prior notice

(Lower mount rear flange)



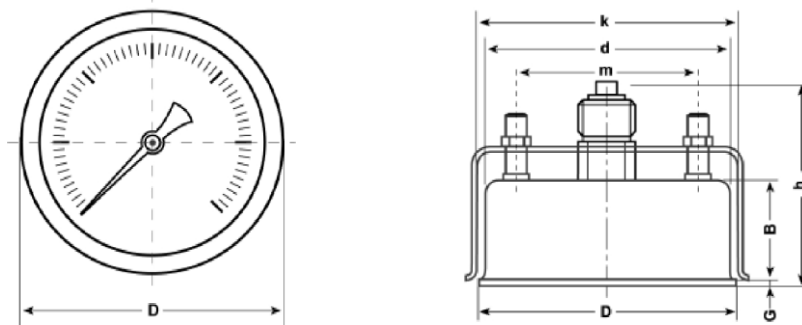
(Back mount front flange)



| DIAL SIZE | D | D1 | A | B | C | d | H | H1 |
|-----------|--------|-------|---------|----|------|-----|-----|----|
| 1.5" | Ø42.5 | Ø41.3 | 8 | 23 | 52.5 | 3 | 37 | 39 |
| 2" | Ø53 | Ø51.5 | 10 | 28 | 64 | 3.5 | 46 | 47 |
| 2.5" | Ø63.5 | Ø62 | 10 | 28 | 72 | 4 | 51 | 47 |
| 4" | Ø100.5 | Ø99 | 13/15.5 | 35 | 118 | 6 | 80 | 59 |
| 6" | Ø150 | Ø148 | 18 | 40 | 165 | 6 | 113 | -- |
| 8" | Ø200 | Ø198 | 18 | 40 | 220 | 6 | 140 | 95 |
| 10" | Ø250 | Ø248 | 19 | 42 | 272 | 7 | 165 | 97 |

dimensions are approximate and can be changed without prior notice

(Back mount U-clamp)



| DIAL SIZE | D | B | G | K | M | H | d |
|-----------|-----|------|-----|------|----|------|------|
| 1.5" | Ø47 | 20.5 | 5.5 | 45 | 24 | 43 | 41.5 |
| 2" | Ø59 | 23 | 6 | 54.5 | 35 | 50 | 52.5 |
| 2.5" | Ø68 | 23 | 6.2 | 63 | 35 | 51.5 | 62 |

dimensions are approximate and can be changed without prior notice